



New transformers family
TR 28

CONTROL TRANSFORMERS IP20

TR28

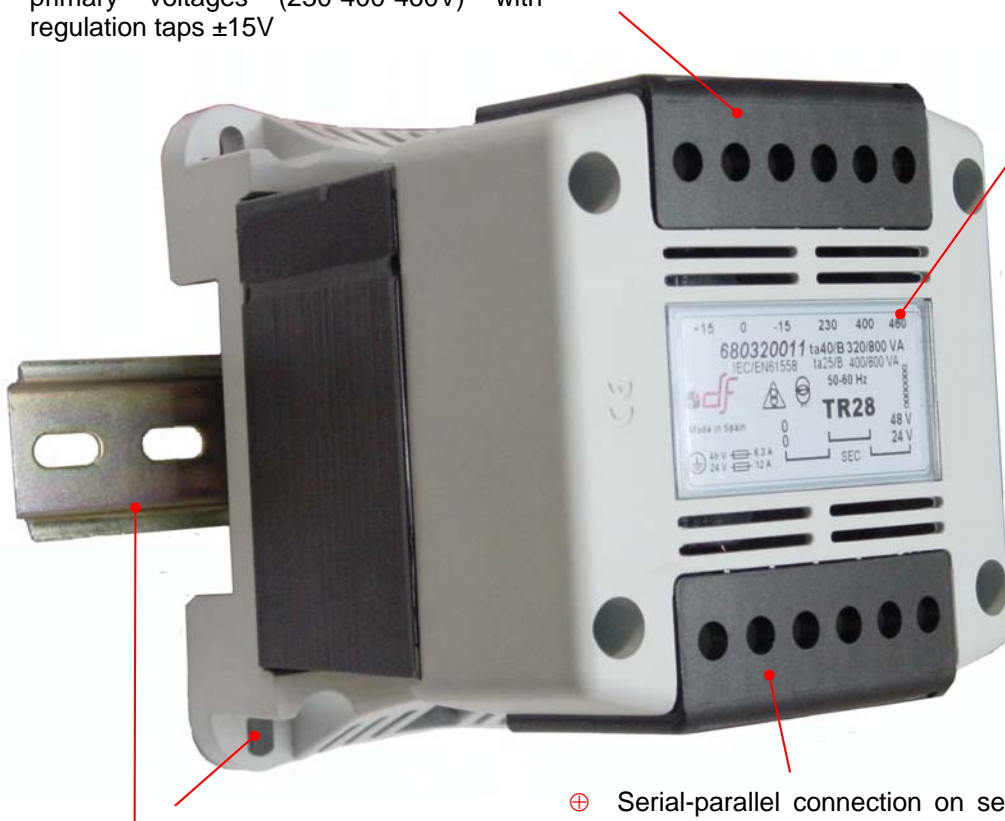
DF Electric presents the new transformers range with actual design and made with self extinguishable materials. It's versatile, easy to mount, easy to connect and there are 13 rated power to choose between 25VA and 1000VA.

⊕ Great versatility due to the several primary voltages (230-400-460V) with regulation taps $\pm 15V$

⊕ Protected label on the front, with all required information in order to get a correct application of the transformer.

⊕ They are sized to obtain 100% of the rated power in ambient temperature up to 40°C.

⊕ High instantaneous power to supply contactors and another control devices with high inrush currents.

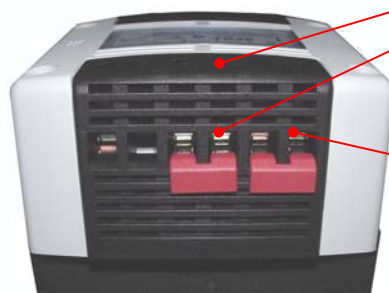


⊕ Fast and easy mounting with the DIN/EN snap on fixing (up to 320 VA) and the special design of the mounting holes.

⊕ Serial-parallel connection on secondary side, with three rated voltages: 12-24V, 24-48V or 115-230V

⊕ IP20 finger safe protection against contacts.

⊕ Easy and fast connections due to the high capacity clamp type terminal blocks, accessible without remove any cover.





Transformers | Autotransformers Chokes

Single-phase control transformers

TR 28



Control and safety or isolating single-phase transformers. They can supply high instantaneous power necessary for the correct operation of contactors and other switch and control gear. IP20 protection index (finger safe). For mounting on DIN/EN rail up to 320 VA. Great flexibility due to the several primary rated voltages with regulation taps $\pm 15V$ and the serial-parallel secondary connection. Fast and easy connection due to the high capacity clamp type terminal blocks.

PRI voltage: 15-0-15-230-400-460 V
 SEC voltage: 12-24, 24-48 or 115-230 V
 Protection index: IP20
 Rail fixing up to 320VA
 SEC serial or parallel connection
 Thermal class: B
 Max. ambient temperature: 40°C
 Frequency: 50/60 Hz
 Class I
 Dielectric strength PRI-SEC: > 4 kV



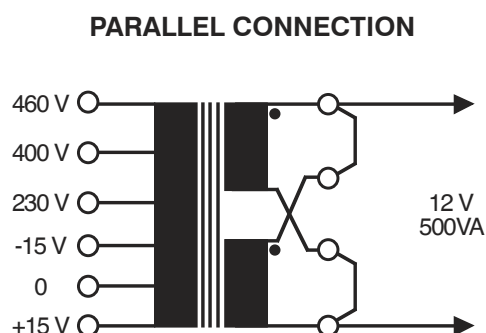
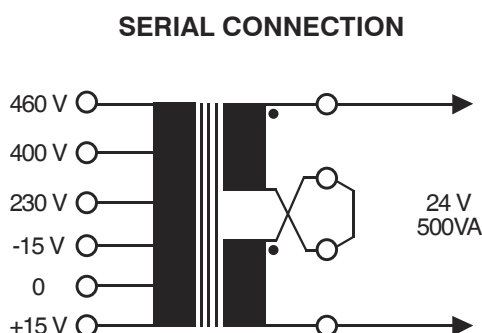
SINGLE-PHASE TRANSFORMER TR 28 IP20

POWER		INSTANT. POWER	REFERENCE		
(VA)		(VA)			
t_a 40°C	t_a 25°C		(12-24 V)	(24-48 V)	(115-230 V)
25	40	75	680025010	680025011	680025012
40	63	120	680040010	680040011	680040012
63	100	150	680063010	680063011	680063012
100	160	230	680100010	680100011	680100012
160	200	350	680160010	680160011	680160012
200	250	450	680200010	680200011	680200012
250	320	600	680250010	680250011	680250012
320	400	800	680320010	680320011	680320012
400	500	950	680400010	680400011	680400012
500	630	1275	680500010	680500011	680500012
630	800	1700	680630010	680630011	680630012
800	1000	2100	680800010	680800011	680800012
1000	1250	3300	681000010	681000011	681000012

t_a maximum ambient temperature

SECONDARY CONNECTION POSSIBILITIES

EXAMPLE: TRANSFORMER 15-0-15-230-400-460//12-24 V 500 VA (680500010)



STANDARDS IEC 61558-1 · IEC 61558-2-2 · IEC 61558-2-4 · IEC 61558-2-6 · EN 61558-1 · EN 61558-2-2 · EN 61558-2-4 · EN 61558-



SINGLE-PHASE TRANSFORMER TR 28 IP20

POWER (VA)		SIZE (mm)					FIXING (mm)			WEIGHT (kg)
t_a 40°C	t_a 25°C	A	B	C	D	E	F	G	H	
25	40	84	113	96	101	66	5	7,5	2	1,17
40	63	84	113	105	101	66	5	7,5	2	1,48
63	100	84	113	112	101	66	5	7,5	2	1,83
100	160	84	113	116	101	66	5	7,5	2	2,00
160	200	84	113	131	101	66	5	7,5	2	2,65
200	250	108	135	133	120	82	6,5	9,5	9,5	4,20
250	320	108	135	138	120	82	6,5	9,5	9,5	4,45
320	400	108	135	148	120	82	6,5	9,5	9,5	5,00
400	500	120	152	136	135	94	7	9,5	-	5,30
500	630	120	152	156	135	94	7	9,5	-	7,08
630	800	150	177	140	160	115	7	2	-	8,68
800	1000	150	177	160	160	115	7	2	-	11,5
1000	1250	150	177	183	160	115	7	2	-	14,4

t_a maximum ambient temperature

