

# FUSE BASES

## Application

The fuse bases type D are made to be incorporated into distribution boxes for individual applications, in industrial and public buildings. The bases most up-to-date design are EZN for mounting on rails (according to EN 50022 and DIN EN 60715) and bases EZR type, because they can be directly fastened on the EZR-busbar.

## Technical data:

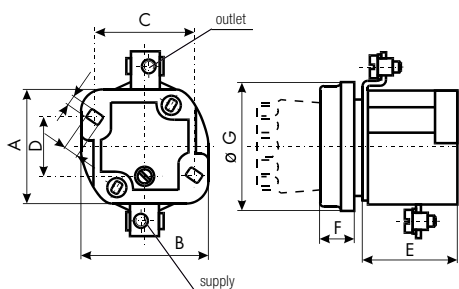
Rated voltage $U_N$	500 V, 690 V
Rated current $I_N$	DII 25 A, DIII 63 A
Insulating class	po VDE 0110 C
Cross-section of connecting lead	DII 1 to 10 mm <sup>2</sup> DIII 2,5 to 25 mm <sup>2</sup>
Standards, publications	IEC 60269, EN 60269, DIN VDE 0636

## SINGLE-POLE FUSE BASES

### EZ

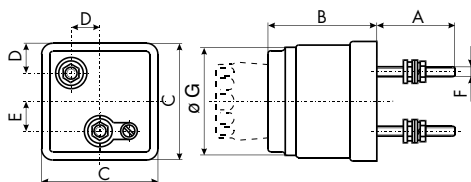
HVB

type	$I_N$ (A)	code No.	screw	weight (g)	packaging (pcs)	dimension						
						A	B	C	D	E	F	G
EZ	25	2322001	E 27	122	36/288	41	47	36	20	35	13	46
EZ	63	2323001	E 33	175	15/180	45	56	45	20	36	14	58



### TZ

type	$I_N$ (A)	code No.	screw	weight (g)	packaging (pcs)	dimension						
						A	B	C	D	E	F	G
TZ	25	2322003	E 27	185	24/192	26	50	53	13,5	14	M	46
TZ	63	2323002	E 33	368	6/84	31	58	64	16	18	M	58

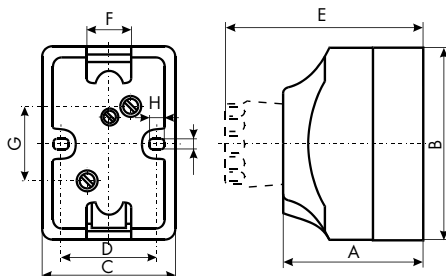


### UZ, UZN

type	$I_N$ (A)	code No.	screw	weight (g)	packaging (pcs)	dimension							
						A	B	C	D	E	F	H	I
UZ	25	2322015	E 27	200	10/200	56	80	41	33	82	20	4,5	4,5
UZN	25	2322024	E 27	202	10/180	56	80	41	33	82	20	4,5	4,5
UZ	63	2323004	E 33	300	6/60	56	90	52	41	82	28	4,5	4,5
UZN	63	2323007	E 33	302	6/60	56	90	52	41	82	28	4,5	4,5

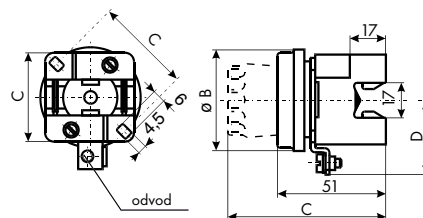
\* UZ - for mounting with screws

\* UZN - for mounting on rail



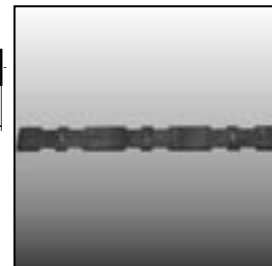
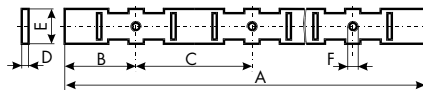
## EZR

type	I <sub>N</sub> (A)	code No.	screw	weight (g)	packaging (pcs)	dimension			
						A	B	C	D
EZR	25	2322006	E 27	97	15/195	42	46	45	35
EZR	63	2323005	E 33	132	15/180	47	58	48,5	38



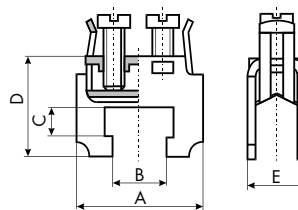
## Busbar for fuse base EZR

type	I <sub>N</sub> (A)	code No.	screw	weight (g)	packaging (pcs)	dimension					
						A	B	C	D	E	F
EZR	25	2923032	E 27	380	50	1000	32	52	3	16	3/16"
EZR	63	2923033	E 33	380	50	1000	38	62	3	16	3/16"



## Terminals for neutral terminals and busbars ERZ

code No.	for cross section (mm <sup>2</sup> )	weight (g)	packaging (pcs)	dimension				
				A	B	C	D	E
2923040	16	9	100/2200	25	12,5	3,5	17	7,3
2923041	35	21	100/2200	28	12,5	6,5	21,5	12,6



## EZN, EZV

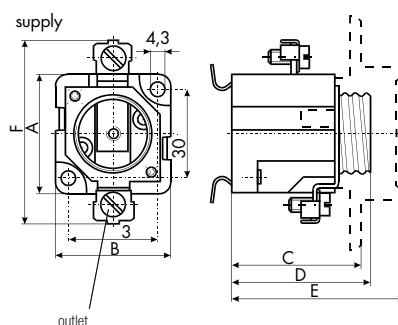
type	I <sub>N</sub> (A)	code No.	screw	weight (g)	packaging (psc)	dimension					
						A	B	C	D	E	F
EZN 25 <sup>®</sup>	25	2322009	E 27	104	15/195	41	39	44	47	60	62
EZN 63 <sup>®</sup>	63	2323008	E33	148	15/180	43	47	44	47	56	79
EZN 63-M6 <sup>®</sup>	63	2323013	E33	148	15/180	43	47	44	47	56	79
EZV 25	25	2322011	E27	102	15/195	41	39	44	47	60	62
EZV 63	63	2323010	E33	146	15/180	43	47	44	47	56	79
EZV 63-M6	63	2323020	E33	146	15/180	43	47	44	47	56	79
EZN 25-ZP*	25	2322016	E27	120	10/130	41	39	44	47	60	62
EZN 63-ZP*	63	2323028	E33	163	10/120	43	47	44	47	56	79
EZV 25-ZP*	25	2322017	E27	112	10/130	41	39	44	47	60	62
EZV 63-ZP*	63	2323029	E33	153	10/120	43	47	44	47	56	79

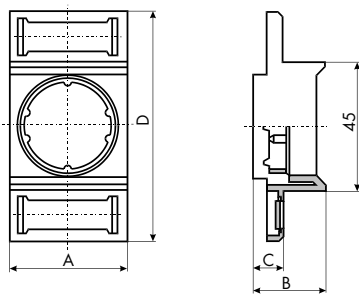
\* EZV - for mounting with screws

\* EZN - for mounting on rail

\* ZP - base with protection cover

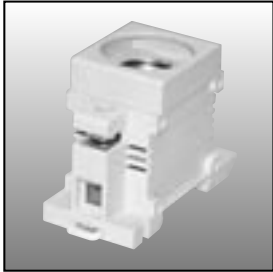
At request, vibration-tested EZN 25, 63, 63-M6 fuse bases are available. According to the LRS-Lloyd's register of Shipping 19961 Vibration Test 2 / page 9.





### Protection cover for fuse bases EZN and EZV

type	I <sub>N</sub> (A)	code No.	screw	weight (g)	packaging (pcs)	dimension			
						A	B	C	D
EZN, EZV	25	2352001	E27	16	30/390	40	24	10,8	80
EZN, EZV	63	2353002	E33	12	30/360	49	21	9	80

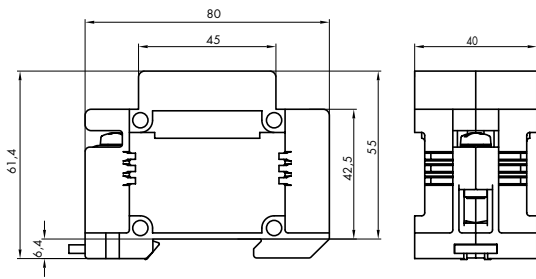


### DII Comfort

type	code No.	weight (g)	packaging (pcs)
DII comfort	2322040	137	3/105

#### Technical data:

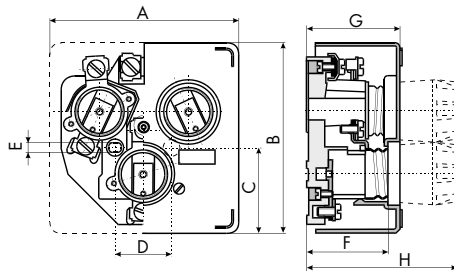
Rated voltage U <sub>N</sub>	500 V
Rated current I <sub>N</sub>	25 A
For fuse-links type DII	acc. to IEC/EN 60269-3
Gauge pieces VDII	acc. to IEC/EN 60269-3
Cross section of connecting leads	1.5 - 25 mm <sup>2</sup>
Screws	with ±head
Mounting possibilities:	- with screws - mounting on the rail EN 50022 and EN 60715



## THREE-POLE FUSE BASES

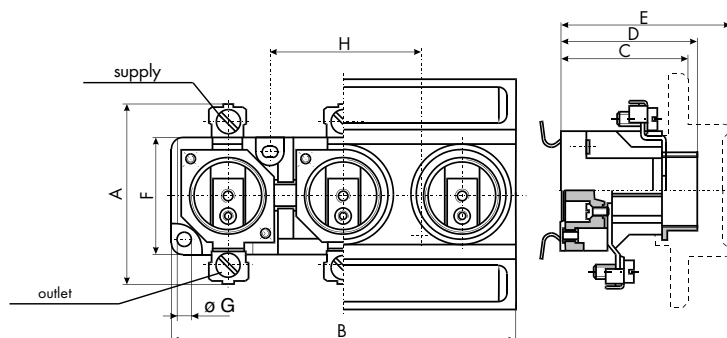
### EZN/3, EZV/3 - DELTA

type	I <sub>N</sub> (A)	code No.	weight (g)	packaging (pcs)	dimension							
					A	B	C	D	E	F	G	H
EZN 25/3	25	2322036	410	8	106	106	48	/	/	45	52	86
EZV 25/3	25	2322037	400	8	106	106	48	32	5,2	45	52	86
EZN 63/3	63	2323043	590	8	127	130	54	/	/	45	52	85
EZV 63/3	63	2323044	580	8	127	130	54	32	5,2	45	52	85



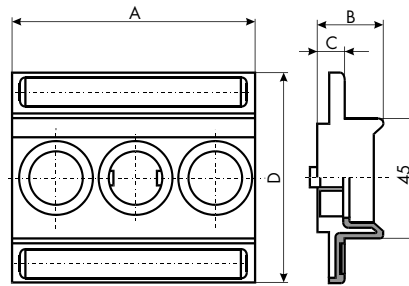
### EZN/3, EZV/3 - LINEAR

type	I <sub>N</sub> (A)	code No.	screw	weight (g)	packaging (psc)	dimension							
						A	B	C	D	E	F	ØG	H
EZN 25/3	25	2322025	E 27	352	4/60	41	121	44	47	60	30	4,3	50
EZV 25/3	25	2322026	E27	346	4/60	41	121	44	47	60	30	4,3	50
EZN 63/3	63	2323016	E33	488	6/42	43	148	44	47	56	32	4,3	62
EZV 63/3	63	2323017	E33	484	6/42	43	148	44	47	56	32	4,3	62



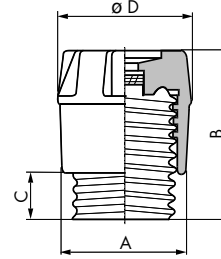
## Protection cover for fuse bases EZN/3 and EZV/3

type	code No.	weight (g)	packaging (pcs)	dimension			
				A	B	C	D
EZN, EZV 25/3	2352003	40	12/120	121	24	10,8	80
EZN, EZV 63/3	2353004	40	12/120	148	21	9	80



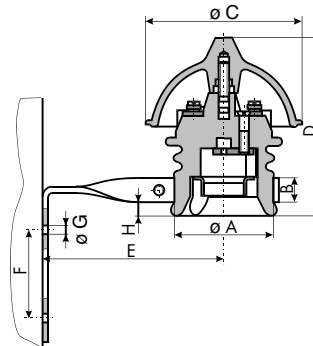
## Fuse carriers

type	I <sub>N</sub> (A)	code No.	screw	weight (g)	packaging (pcs)	dimension			
						A	B	C	D
K DII	25	2332003	E 27	35	50/600	E	44	12	34
K DIII	63	2333002	E 33	59	30/360	E	44	12	43



## Fuse bases for Overhead Lines

type	I <sub>N</sub> (A)	code No.	screw	weight (g)	packaging (pcs)	dimension							
						ØA	B	ØC	D	E	F	ØG	H
FZ	25	2322007	E 27	750	1/22	61	14	104	118	90	50	7	20
FZ	63	2323006	E 33	1050	1/16	70	21	114	120	130	58	7	21



## Armoured fuses

type	code No.	weight (g)	packaging (pcs)	dimension								
				A	B	C	D	E	F	G	H	I
T 25/3N	2362003	460	4	106	106	48	/	/	45	52	86	97
T 63/3N	2363003	660	4	127	130	54	/	/	45	52	85	97
T 25/3V	2362004	450	4	106	106	48	32	5,2	45	52	86	97
T 63/3V	2363004	650	4	127	130	54	32	5,2	45	52	85	97

