

## SCT 74/30

For currents from 100 A to 400 A

Type: split core

Standards: acc. to BS 3938, EN 60044-1

### Technical data:

**Class of accuracy:** 1 ... 3 (see table).  
**Rated burden:** max. 5 VA (see table).  
**Rated voltage:** 720 V.  
**Rated frequency:** 50-60 Hz.  
**Rated sec. current:** 5 A (or 1 A on request).  
**Security factor:** **FS 5**  
**Working temperature range:** -20 ... +45°C.  
**High voltage test:** 4 kV<sub>eff</sub>, 50 Hz, 1 min.  
**Insulation class:** E (max. 120°C)  
**Protection:** IP 00.  
**Case:** non-flammable plastic, UL 94 V-0.



**SCT 74/**

| Rated primary current<br>$I_n$ | Acc cl. | Type: SCT 74/30                 |     |      |   |
|--------------------------------|---------|---------------------------------|-----|------|---|
|                                |         | Busbar hole 31x26 mm (see fig.) |     |      |   |
|                                |         | Rated burden (VA)               |     |      |   |
|                                |         | 1,5                             | 2,5 | 3,75 | 5 |
| 100 A                          | 1       |                                 |     |      |   |
|                                | 3       | x                               |     |      |   |
| 125 A                          | 1       |                                 |     |      |   |
|                                | 3       | x                               |     |      |   |
| 150 A                          | 1       |                                 |     |      |   |
|                                | 3       |                                 | x   |      |   |
| 200 A                          | 1       | x                               |     |      |   |
|                                | 3       |                                 |     | x    |   |
| 250 A                          | 1       | x                               |     |      |   |
|                                | 3       |                                 |     | x    |   |
| 300 A                          | 1       |                                 | x   |      |   |
|                                | 3       |                                 |     |      | x |
| 400 A                          | 1       |                                 |     | x    |   |
|                                | 3       |                                 |     |      | x |

**Outline drawing**  
Dimensions in mm

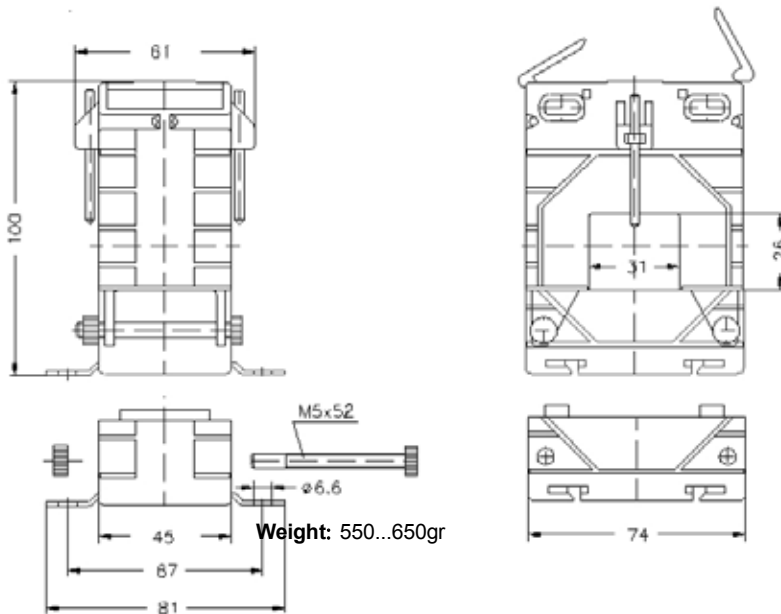
### Order specification:

- Split core-type current transformer
- Class of accuracy: 1
- Rated primary current: 200 A.
- Rated secondary current: 1 A.
- Rated burden: 1,5 VA
- Busbar dimension: 31 x 26 mm

### Note:

On request orders for types different from table are accepted.

On request order for clip for DIN EN 50 022 rail are accepted.  
Cat. No. 12-3044-94.





# SPLIT CORE CURRENT TRANSFORMERS



## SCT 104/50

For currents from 150 A to 800 A.  
 Type: split core  
 Standards: according to BS 3938, EN 60044-1

### Technical data

**Class of accuracy:** 1 ... 3 (see table).  
**Rated burden:** max. 20 VA (see table).  
**Rated voltage:** 720 V.  
**Rated frequency:** 50-60 Hz.  
**Rated sec. current:** 5 A (or 1 A on request).  
**Security factor:** **FS 5** FS10  
**Working temperature range:** -20 ... +45 °C.  
**High voltage test:** 3 kV<sub>eff</sub>, 50 Hz, 1 min.  
**Insulation class:** E (max. 120°C)  
**Protection:** IP 00.  
**Case:** non-flammable plastic, UL 94 V-0.



| Rated primary current<br>$I_n$ | Ac. cl. | Type: SCT 104/50               |     |      |   |     |    |
|--------------------------------|---------|--------------------------------|-----|------|---|-----|----|
|                                |         | Busbar hole 51x51 mm (see fig) |     |      |   |     |    |
|                                |         | Rated burden [VA]              |     |      |   |     |    |
|                                |         | 1,5                            | 2,5 | 3,75 | 5 | 7.5 | 10 |
| 150 A                          | 1       |                                |     |      |   |     |    |
|                                | 3       | x                              |     |      |   |     |    |
| 200 A                          | 1       | x                              |     |      |   |     |    |
|                                | 3       |                                | x   |      |   |     |    |
| 250 A                          | 1       | x                              |     |      |   |     |    |
|                                | 3       |                                |     | x    |   |     |    |
| 300 A                          | 1       | x                              |     |      |   |     |    |
|                                | 3       |                                |     |      | x |     |    |
| 400 A                          | 1       |                                | x   |      |   |     |    |
|                                | 3       |                                |     |      |   |     | x  |

| Rated primary current<br>$I_n$ | Ac. cl. | Type: SCT 104/50               |      |   |     |    |    |    |  |
|--------------------------------|---------|--------------------------------|------|---|-----|----|----|----|--|
|                                |         | Busbar hole 51x51 mm (see fig) |      |   |     |    |    |    |  |
|                                |         | Rated burden [VA]              |      |   |     |    |    |    |  |
|                                |         | 2,5                            | 3,75 | 5 | 7,5 | 10 | 15 | 20 |  |
| 500 A                          | 1       |                                |      | x |     |    |    |    |  |
|                                | 3       |                                |      |   |     | x  |    |    |  |
| 600 A                          | 1       |                                |      | x | x   |    |    |    |  |
|                                | 3       |                                |      |   |     |    | x  |    |  |
| 750 A                          | 1       |                                |      | x | x   |    |    |    |  |
|                                | 3       |                                |      |   |     |    |    |    |  |
| 800 A                          | 1       |                                |      | x |     | x  |    |    |  |
|                                | 3       |                                |      |   |     |    | x  |    |  |

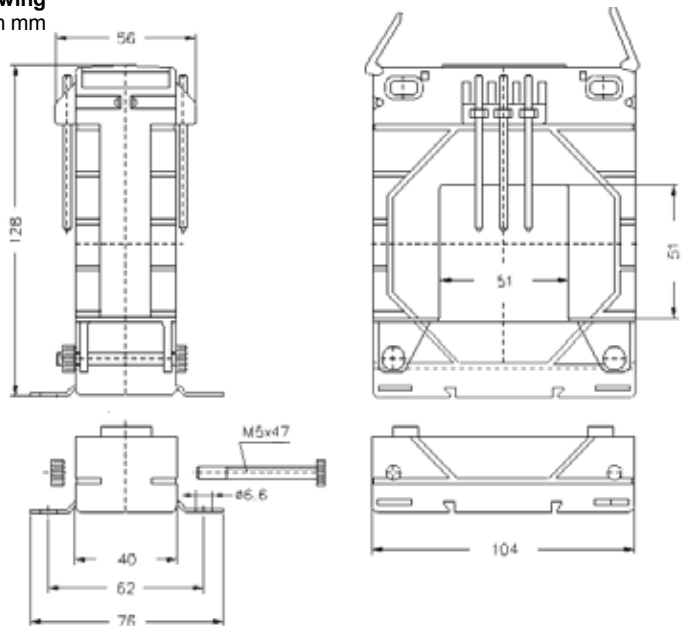
Outline drawing  
 Dimension in mm

### Order specification:

- Split core-type current transformer
- Class of accuracy: 1
- Rated primary current: 800 A.
- Rated secondary current: 1 A.
- Rated burden: 5 VA
- Busbar dimension: 51 x 51 mm

**SCT 104 /50 800/1 A Cl. 1 5VA**

**Note:**  
 On request orders for types different from table are accepted.  
 On request order for clip for DIN EN 50 022 rail are accepted.  
 Cat. No. **12-3044-94**.



**Weight:** 550...650gr

## SCT 140/80

For currents from 400 A to 1600 A  
 Type: split core  
 Standards: acc. to BS 3938, EN 60044-1

### Technical data:

**Class of accuracy:** 1 ... 3 (see table).  
**Rated burden:** max. 30 VA (see table).  
**Rated voltage:** 720 V.  
**Rated frequency:** 50-60 Hz.  
**Rated sec. current:** 5 A (or 1 A on request).  
**Security factor:** **FS 5** FS10  
**Working temperature range:** -20 ... +45°C.  
**High voltage test:** 4 kV<sub>eff</sub>, 50 Hz, 1 min.  
**Insulation class:** E (max. 120°C)  
**Protection:** IP 00.  
**Case:** non-flammable plastic, UL 94 V-0.



| Rated primary current<br>$I_n$ | Ac. cl. | Type: SCT 140/80                |     |      |   |     |    |
|--------------------------------|---------|---------------------------------|-----|------|---|-----|----|
|                                |         | Busbar hole 81x51 mm (see fig.) |     |      |   |     |    |
|                                |         | Rated burden (VA)               |     |      |   |     |    |
|                                |         | 1,5                             | 2,5 | 3,75 | 5 | 7,5 | 10 |
| 400 A                          | 1       | x                               |     |      |   |     |    |
|                                | 3       |                                 |     |      | x |     |    |
| 500 A                          | 1       |                                 | x   |      |   |     |    |
|                                | 3       |                                 |     |      | x |     |    |
| 600 A                          | 1       |                                 |     | x    |   |     |    |
|                                | 3       |                                 |     |      |   | x   |    |
| 750 A                          | 1       |                                 |     |      | x | x   |    |
|                                | 3       |                                 |     |      |   |     | x  |
| 800 A                          | 1       |                                 |     |      | x | x   |    |
|                                | 3       |                                 |     |      |   |     | x  |

| Rated primary current<br>$I_n$ | Ac. cl. | Type: SCT 140/80                |    |    |    |    |
|--------------------------------|---------|---------------------------------|----|----|----|----|
|                                |         | Busbar hole 81x51 mm (see fig.) |    |    |    |    |
|                                |         | Rated burden (VA)               |    |    |    |    |
|                                |         | 5                               | 10 | 15 | 20 | 30 |
| 1000 A                         | 1       | x                               | x  |    |    |    |
|                                | 3       |                                 |    |    | x  |    |
| 1200 A                         | 1       | x                               | x  | x  |    |    |
|                                | 3       |                                 |    |    | x  |    |
| 1250 A                         | 1       | x                               | x  | x  |    |    |
|                                | 3       |                                 |    |    | x  |    |
| 1500 A                         | 1       |                                 | x  | x  | x  |    |
|                                | 3       |                                 |    |    |    | x  |
| 1600 A                         | 1       | x                               | x  | x  | x  |    |
|                                | 3       |                                 |    |    |    | x  |

### Order specification:

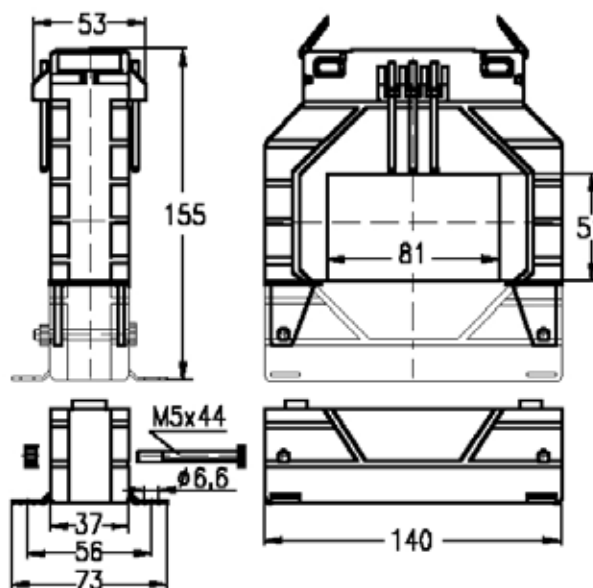
- Split core-type current transformer
- Class of accuracy: 1
- Rated primary current: 1600 A.
- Rated secondary current: 5 A.
- Rated burden: 15 VA
- Busbar dimension: 81 x 51 mm

**SCT 140/80 1600/5 A Cl. 1 15VA**

### Note:

On request orders for types different from table are accepted

Outline drawing  
 Dimension in mm.



## SCT 166/125

For currents from 500 A to 2500 A  
 Type: split core The current transformers are made  
 Standards: acc. to BS 3938, EN 60044-1

### Technical data:

**Class of accuracy:** 1 ... 3 (see table)  
**Rated burden:** max. 30 VA (see table)  
**Rated voltage:** 720 V  
**Rated frequency:** 50-60 Hz  
**Rated sec. current:** 5 A (or 1 A on request)  
**Security factor:** **FS 5** FS10  
**Working temperature range:** -20 ... +45°C  
**High voltage test:** 4 kV<sub>eff</sub>, 50 Hz, 1 min  
**Insulation class:** E (max. 120°C)  
**Protection:** IP 00  
**Case:** non-flammable plastic, UL 94 V-0



| Rated primary current<br>$I_n$ | Acc. cl. | Type: SCT 166/125                |     |   |     |    |    |    |
|--------------------------------|----------|----------------------------------|-----|---|-----|----|----|----|
|                                |          | Busbar hole 127x62 mm (see fig.) |     |   |     |    |    |    |
|                                |          | Rated burden (VA)                |     |   |     |    |    |    |
|                                |          | 1,5                              | 2,5 | 5 | 7,5 | 10 | 15 | 20 |
| 500 A                          | 1        |                                  | x   |   |     |    |    |    |
|                                | 3        |                                  |     | x |     |    |    |    |
| 600 A                          | 1        |                                  | x   |   | x   |    |    |    |
|                                | 3        |                                  |     | x |     |    |    |    |
| 800 A                          | 1        |                                  |     | x |     |    |    |    |
|                                | 3        |                                  |     |   |     | x  |    |    |
| 1000 A                         | 1        |                                  |     | x |     | x  |    |    |
|                                | 3        |                                  |     |   |     |    | x  |    |
| 1200 A                         | 1        |                                  |     | x |     | x  | x  |    |
|                                | 3        |                                  |     |   |     |    |    | x  |
| 1250 A                         | 1        |                                  |     | x |     | x  | x  |    |
|                                | 3        |                                  |     |   |     |    |    | x  |

| Rated primary current<br>$I_n$ | Acc. cl. | Type: SCT 166/125                |    |    |    |    |
|--------------------------------|----------|----------------------------------|----|----|----|----|
|                                |          | Busbar hole 127x62 mm (see fig.) |    |    |    |    |
|                                |          | Rated burden (VA)                |    |    |    |    |
|                                |          | 5                                | 10 | 15 | 20 | 30 |
| 1500 A                         | 1        | x                                | x  | x  |    |    |
|                                | 3        |                                  |    |    | x  |    |
| 1600 A                         | 1        | x                                | x  | x  | x  |    |
|                                | 3        |                                  |    |    | x  |    |
| 2000 A                         | 1        | x                                | x  | x  | x  |    |
|                                | 3        |                                  |    |    |    | x  |
| 2500 A                         | 1        | x                                | x  | x  |    | x  |
|                                | 3        |                                  |    |    |    |    |

### Order specification:

- Split core current transformer
- Class of accuracy: 1
- Rated primary current: 2500 A
- Rated secondary current: 5 A
- Rated burden: 15 VA
- Busbar dimension: 2x120x10 mm

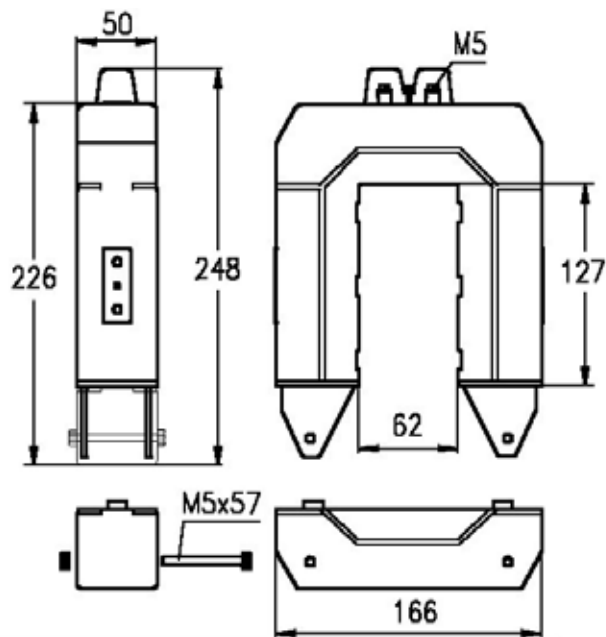
SCT 166/125 2500/5 A Cl. 1 15VA

### Note:

On request orders for types different from table are accepted.

Outline drawing

Dimensions in mm



Weight: 1500-1800 gr



# SPLIT CORE CURRENT TRANSFORMERS



## SCT 166/165

For currents from 800A to 4000A

Type: split core

Standards: acc. to BS 3938, EN 60044-1 and DIN 42600 standards

### Technical data:

**Class of accuracy:** 1 ... 3 (see table)

**Rated burden:** max. 30 VA (see table)

**Rated voltage:** 720 V

**Rated frequency:** 50-60 Hz

**Rated sec. current:** 5 A (or 1 A on request)

**Security factor:** **FS 5** FS10

**Working temperature range:** -20 ... +45°C

**High voltage test:** 4 kV<sub>eff</sub>, 50 Hz, 1 min

**Insulation class:** E (max. 120°C)

**Protection:** IP 00

**Case:** made of non-flammable plastic, UL 94 V-0



| Rated primary current<br>$I_n$ | Ac. cl. | Type: SCT 166/165                |     |   |     |    |    |    |
|--------------------------------|---------|----------------------------------|-----|---|-----|----|----|----|
|                                |         | Busbar hole 167x62 mm (see fig.) |     |   |     |    |    |    |
|                                |         | Rated burden (VA)                |     |   |     |    |    |    |
|                                |         | 1,5                              | 2,5 | 5 | 7,5 | 10 | 15 | 20 |
| 800 A                          | 1<br>3  |                                  |     | x | x   |    |    |    |
| 1000 A                         | 1<br>3  |                                  |     | x | x   | x  |    |    |
| 1250 A                         | 1<br>3  |                                  |     | x |     | x  | x  |    |
| 1500 A                         | 1<br>3  |                                  |     | x |     | x  | x  | x  |
| 1600 A                         | 1<br>3  |                                  |     | x |     | x  | x  | x  |

| Rated primary current<br>$I_n$ | Ac. cl. | Type: SCT 166/165                |    |    |    |    |
|--------------------------------|---------|----------------------------------|----|----|----|----|
|                                |         | Busbar hole 167x62 mm (see fig.) |    |    |    |    |
|                                |         | Rated burden (VA)                |    |    |    |    |
|                                |         | 5                                | 10 | 15 | 20 | 30 |
| 2000 A                         | 1<br>3  | x                                | x  | x  | x  | x  |
| 2500 A                         | 1<br>3  | x                                | x  | x  | x  | x  |
| 3000 A                         | 1<br>3  | x                                | x  | x  |    | x  |
| 4000 A                         | 1<br>3  | x                                | x  | x  |    | x  |

Outline drawing

Dimensions in mm

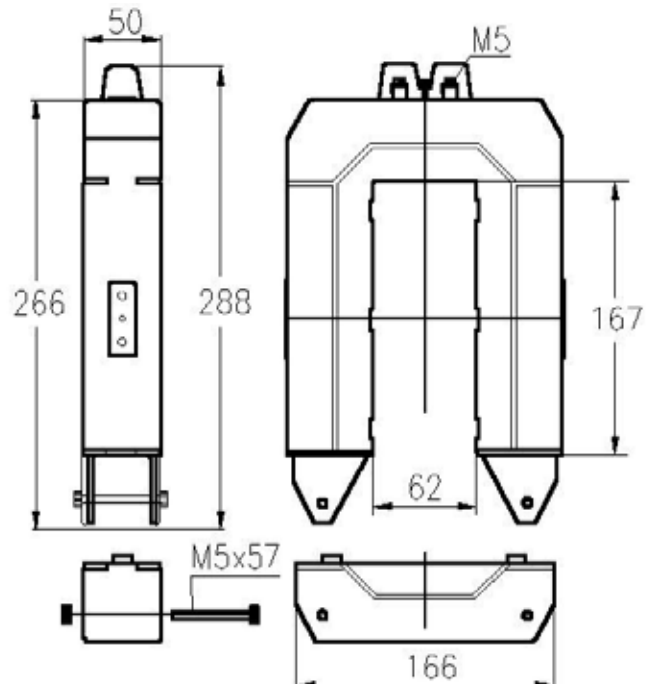
### Order specification:

- Split core current transformer
- Class of accuracy: 1
- Rated primary current: 4000 A
- Rated secondary current: 5 A
- Rated burden: 15 VA
- Busbar dimension: 3x160x10 mm

|                    |                 |              |             |
|--------------------|-----------------|--------------|-------------|
| <b>SCT 166/165</b> | <b>4000/5 A</b> | <b>Cl. 1</b> | <b>15VA</b> |
|--------------------|-----------------|--------------|-------------|

### Note:

On request orders for types different from table are accepted.



Weight: 1500-1800 gr



## SCT 166/205

For currents from 1000A to 6000A  
 Type: split core  
 Standards: acc. to BS 3938, EN 60044-1

### Technical data:

**Class of accuracy:** 1 ... 3 (see table)  
**Rated burden:** max. 30 VA (see table)  
**Rated voltage:** 720 V  
**Rated frequency:** 50-60 Hz  
**Rated sec. current:** 5 A (or 1 A on request)  
**Security factor:** **FS 5** FS10  
**Working temperature range:** -20 ... +45°C  
**High voltage test:** 4 kV<sub>eff</sub>, 50 Hz, 1 min  
**Insulation class:** E (max. 120°C)  
**Protection:** IP 00  
**Case:** non-flammable plastic, UL 94 V-0



| Rated primary current<br>$I_n$ | Ac. cl. | Type: SCT 166/205                |     |   |     |    |    |    |
|--------------------------------|---------|----------------------------------|-----|---|-----|----|----|----|
|                                |         | Busbar hole 205x62 mm (see fig.) |     |   |     |    |    |    |
|                                |         | Rated burden (VA)                |     |   |     |    |    |    |
|                                |         | 1,5                              | 2,5 | 5 | 7,5 | 10 | 15 | 20 |
| 1000 A                         | 1       |                                  |     | x |     |    |    |    |
|                                | 3       |                                  |     |   | x   |    |    |    |
| 1200 A                         | 1       |                                  |     | x | x   |    |    |    |
|                                | 3       |                                  |     |   |     | x  |    |    |
| 1250 A                         | 1       | x                                | x   |   |     | x  |    |    |
|                                | 3       |                                  |     | x |     |    | x  |    |
| 1500 A                         | 1       |                                  |     | x |     | x  |    |    |
|                                | 3       |                                  |     |   |     |    | x  |    |
| 2000 A                         | 1       |                                  |     | x |     | x  | x  |    |
|                                | 3       |                                  |     |   |     |    |    | x  |

| Rated primary current<br>$I_n$ | Ac. cl. | Type: SCT 166/205                |    |    |    |    |
|--------------------------------|---------|----------------------------------|----|----|----|----|
|                                |         | Busbar hole 205x62 mm (see fig.) |    |    |    |    |
|                                |         | Rated burden (VA)                |    |    |    |    |
|                                |         | 5                                | 10 | 15 | 20 | 30 |
| 2500 A                         | 1       | x                                | x  | x  |    |    |
|                                | 3       |                                  |    |    | x  |    |
| 3000 A                         | 1       | x                                | x  | x  | x  |    |
|                                | 3       |                                  |    |    |    | x  |
| 4000 A                         | 1       | x                                | x  | x  | x  |    |
|                                | 3       |                                  |    |    |    | x  |
| 5000 A                         | 1       | x                                | x  | x  |    | x  |
|                                | 3       |                                  |    |    |    |    |
| 6000 A                         | 1       | x                                | x  | x  |    | x  |
|                                | 3       |                                  |    |    |    |    |

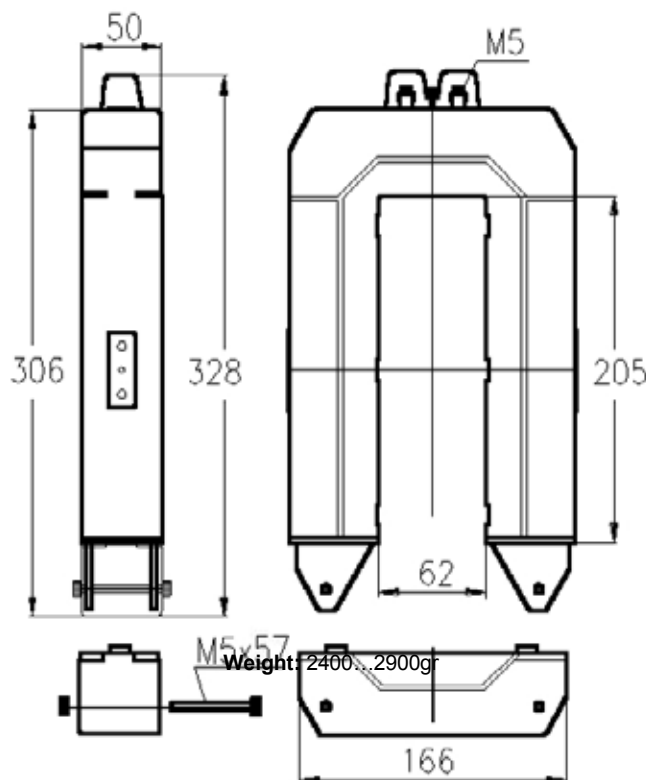
### Order specification:

- Split core current transformer
- Class of accuracy: 1
- Rated primary current: 4000 A
- Rated secondary current: 5 A
- Rated burden: 15 VA
- Busbar dimension: 3x200x10 mm

**SCT 166/205 4000/5 A Cl. 1 15VA**

### Note:

On request orders for types different from table are accepted.



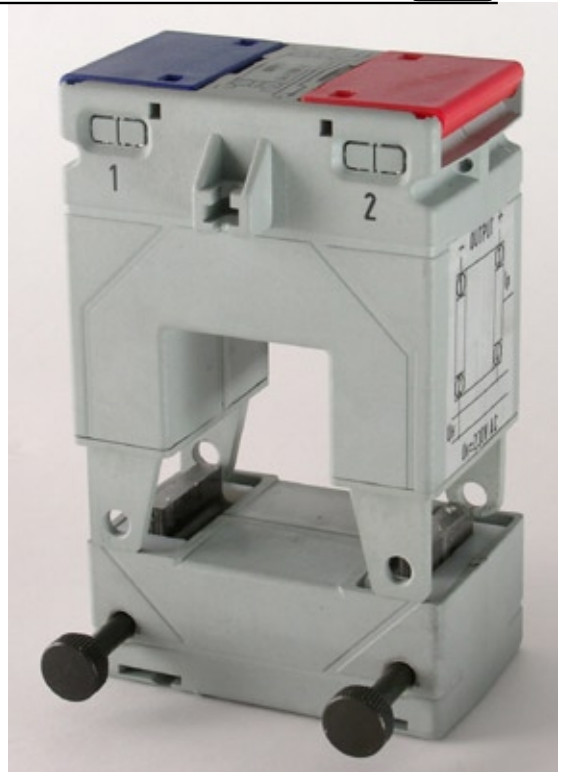


## SCTC 74/30H

Combined split core current transformer and electronic transducer.  
The two components are built into the same case.  
The C.T. provides a galvanic isolation between the supply, the input and the output.

### Technical data:

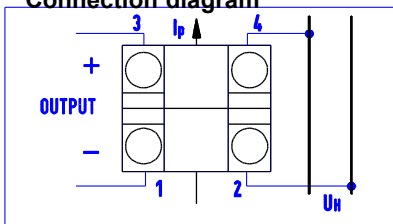
|                                   |                                     |
|-----------------------------------|-------------------------------------|
| <b>Class of accuracy:</b>         | 0.5                                 |
| <b>Input:</b>                     | 25...200 A AC                       |
| <b>Rated voltage:</b>             | 720 V.                              |
| <b>Output (DC):</b>               | 20 mA, 4...20 mA 10 V               |
| <b>Rated burden:</b>              | $R_L=0...200 \Omega$ $R_L > 2 k$    |
| <b>Mains:</b>                     | 230 V $\pm$ 10 %                    |
| <b>Rated frequency:</b>           | 50-60 Hz.                           |
| <b>Working temperature range:</b> | 0 ... +45°C.                        |
| <b>High voltage test:</b>         | 4 kV <sub>eff</sub> , 50 Hz, 1 min. |
| <b>Insulation class:</b>          | E (max. 120°C)                      |
| <b>Protection:</b>                | IP 00.                              |
| <b>Case:</b>                      | non-flammable plastic, UL 94 V-0.   |



| SCTC 74/30H |             |       |             |       |             |
|-------------|-------------|-------|-------------|-------|-------------|
| INPUT       | OUTPUT      | INPUT | OUTPUT      | INPUT | OUTPUT      |
| 25 A        | 4 ... 20 mA | 60 A  | 4 ... 20 mA | 125 A | 4 ... 20 mA |
|             | 0 ... 20 mA |       | 0 ... 20 mA |       | 0 ... 20 mA |
|             | 0 ... 10 V  |       | 0 ... 10 V  |       | 0 ... 10 V  |
| 30 A        | 4 ... 20 mA | 75 A  | 4 ... 20 mA | 150 A | 4 ... 20 mA |
|             | 0 ... 20 mA |       | 0 ... 20 mA |       | 0 ... 20 mA |
|             | 0 ... 10 V  |       | 0 ... 10 V  |       | 0 ... 10 V  |
| 40 A        | 4 ... 20 mA | 80 A  | 4 ... 20 mA | 200 A | 4 ... 20 mA |
|             | 0 ... 20 mA |       | 0 ... 20 mA |       | 0 ... 20 mA |
|             | 0 ... 10 V  |       | 0 ... 10 V  |       | 0 ... 10 V  |
| 50 A        | 4 ... 20 mA | 100 A | 4 ... 20 mA |       |             |
|             | 0 ... 20 mA |       | 0 ... 20 mA |       |             |
|             | 0 ... 10 V  |       | 0 ... 10 V  |       |             |

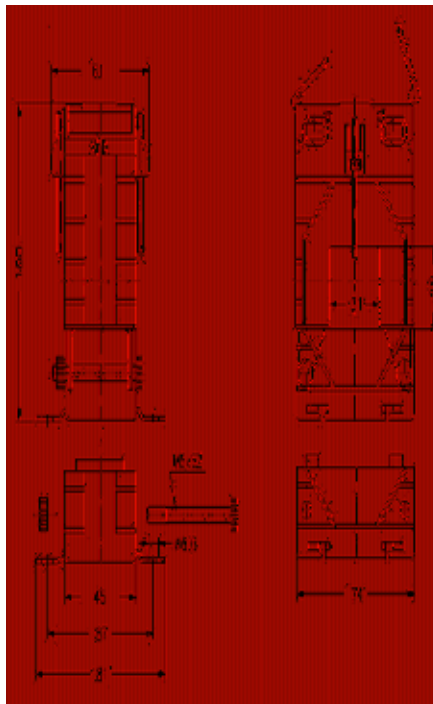
Outline drawing  
Dimension in mm.

### Connection diagram



### Order specification:

Split core AC current transformer  
with transducer  
Input current: 100 A  
Output: 4...20 mA  
Class of accuracy: 0.5



Weight: 600...710gr

**SCTC 74/30H 100 A 4...20 mA Cl. 0.5**

### Note:

On request orders for types different from table are accepted.  
On request order for clip for DIN EN 50 022 rail are accepted.  
Cat. No. 12-3044-94.



## SCTC 104/50H

Combined split core current transformer and electronic transducer.  
 The two components are built into the same case.  
 The C.T. provides a galvanic isolation between the supply, the input and the output.

### Technical data:

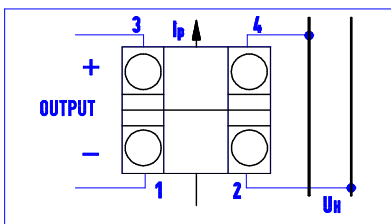
**Class of accuracy:** 0.5  
**Input:** 100...1000 A AC  
**Rated voltage:** 720 V.  
**Output (DC):** 20 mA, 4...20 mA 10 V  
**Rated burden:**  $R_L=0...200 \Omega$   $R_L > 2 k$   
**Mains:** 230 V  $\pm 10 \%$   
**Rated frequency:** 50-60 Hz.  
**Working temperature range:** 0 ... +45°C.  
**High voltage test:** 4 kV<sub>eff</sub>, 50 Hz, 1 min.  
**Insulation class:** E (max. 120°C)  
**Protection:** IP 00.  
**Case:** non-flammable plastic, UL 94 V-0.



| SCTC 104/50H |             |       |             |        |             |
|--------------|-------------|-------|-------------|--------|-------------|
| INPUT        | OUTPUT      | INPUT | OUTPUT      | INPUT  | OUTPUT      |
| 100 A        | 4 ... 20 mA | 250 A | 4 ... 20 mA | 600 A  | 4 ... 20 mA |
|              | 0 ... 20 mA |       | 0 ... 20 mA |        | 0 ... 20 mA |
|              | 0 ... 10 V  |       | 0 ... 10 V  |        | 0 ... 10 V  |
| 125 A        | 4 ... 20 mA | 300 A | 4 ... 20 mA | 750 A  | 4 ... 20 mA |
|              | 0 ... 20 mA |       | 0 ... 20 mA |        | 0 ... 20 mA |
|              | 0 ... 10 V  |       | 0 ... 10 V  |        | 0 ... 10 V  |
| 150 A        | 4 ... 20 mA | 400 A | 4 ... 20 mA | 800 A  | 4 ... 20 mA |
|              | 0 ... 20 mA |       | 0 ... 20 mA |        | 0 ... 20 mA |
|              | 0 ... 10 V  |       | 0 ... 10 V  |        | 0 ... 10 V  |
| 200 A        | 4 ... 20 mA | 500 A | 4 ... 20 mA | 1000 A | 4 ... 20 mA |
|              | 0 ... 20 mA |       | 0 ... 20 mA |        | 0 ... 20 mA |
|              | 0 ... 10 V  |       | 0 ... 10 V  |        | 0 ... 10 V  |

**Outline drawing**  
 Dimension in mm.

### Connection diagram



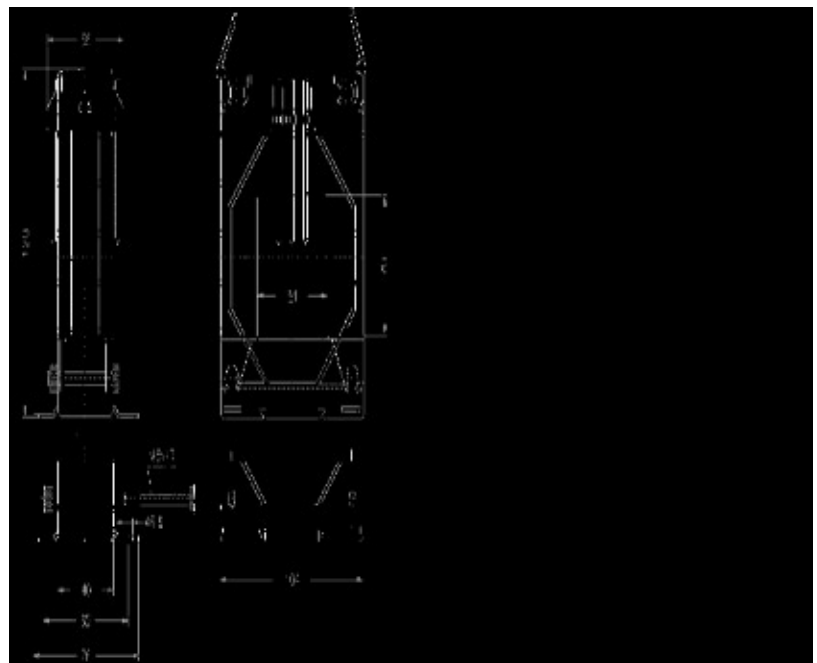
### Order specification:

Split core AC current transformer  
 with transducer  
 Input current: 300 A  
 Output: 4...20 mA  
 Class of accuracy: 0.5

**SCTC 104/50H 300 A 4...20 mA Cl. 0.5**

### Note:

On request orders for types different from table are accepted.  
 On request order for clip for DIN EN 50 022 rail are accepted.  
 Cat. No. 12-3044-94.



**Weight:** 750...880gr



## SCTC 140/80H

Combined split core current transformer and electronic transducer. The two components are built into the same case. The C.T. provides a galvanic isolation between the supply, the input and the output.

### Technical data:

**Class of accuracy:** 0.5  
**Input:** 250...1600 A AC  
**Rated voltage:** 720 V.  
**Output (DC):** 20 mA, 4...20 mA 10 V  
**Rated burden:**

|                            |                     |
|----------------------------|---------------------|
| $R_L = 0 \dots 200 \Omega$ | $R_L > 2 \text{ k}$ |
|----------------------------|---------------------|

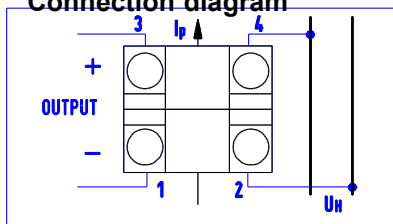
  
**Mains:** 230 V  $\pm$  10 %  
**Rated frequency:** 50-60 Hz.  
**Working temperature range:** 0 ... +45°C.  
**High voltage test:** 4 kV<sub>eff</sub>, 50 Hz, 1 min.  
**Insulation class:** E (max. 120°C)  
**Protection:** IP 00.  
**Case:** non-flammable plastic, UL 94 V-0.



| SCTC 140/80H |             |        |             |        |             |
|--------------|-------------|--------|-------------|--------|-------------|
| INPUT        | OUTPUT      | INPUT  | OUTPUT      | INPUT  | OUTPUT      |
| 250 A        | 4 ... 20 mA | 600 A  | 4 ... 20 mA | 1200 A | 4 ... 20 mA |
|              | 0 ... 20 mA |        | 0 ... 20 mA |        | 0 ... 20 mA |
|              | 0 ... 10 V  |        | 0 ... 10 V  |        | 0 ... 10 V  |
| 300 A        | 4 ... 20 mA | 750 A  | 4 ... 20 mA | 1250 A | 4 ... 20 mA |
|              | 0 ... 20 mA |        | 0 ... 20 mA |        | 0 ... 20 mA |
|              | 0 ... 10 V  |        | 0 ... 10 V  |        | 0 ... 10 V  |
| 400 A        | 4 ... 20 mA | 800 A  | 4 ... 20 mA | 1500 A | 4 ... 20 mA |
|              | 0 ... 20 mA |        | 0 ... 20 mA |        | 0 ... 20 mA |
|              | 0 ... 10 V  |        | 0 ... 10 V  |        | 0 ... 10 V  |
| 500 A        | 4 ... 20 mA | 1000 A | 4 ... 20 mA | 1600 A | 4 ... 20 mA |
|              | 0 ... 20 mA |        | 0 ... 20 mA |        | 0 ... 20 mA |
|              | 0 ... 10 V  |        | 0 ... 10 V  |        | 0 ... 10 V  |

**Outline drawing**  
Dimension in mm.

### Connection diagram



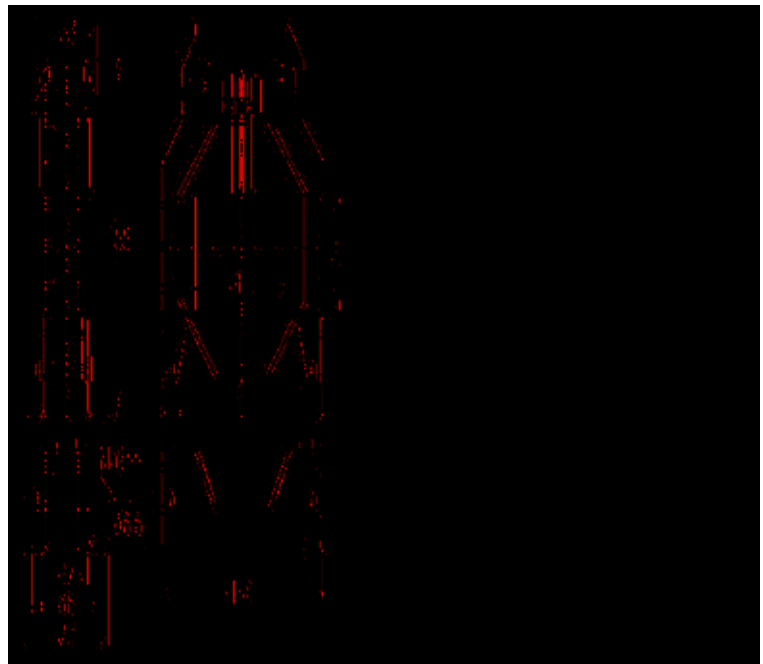
### Order specification:

Split core AC current transformer  
with transducer  
Input current: 800 A  
Output: 4...20 mA  
Class of accuracy: 0.5

**SCTC 140/80H 800 A 4...20 mA Cl. 0.5**

### Note:

On request orders for types different from table are accepted.



**Weight:** 950...1150gr